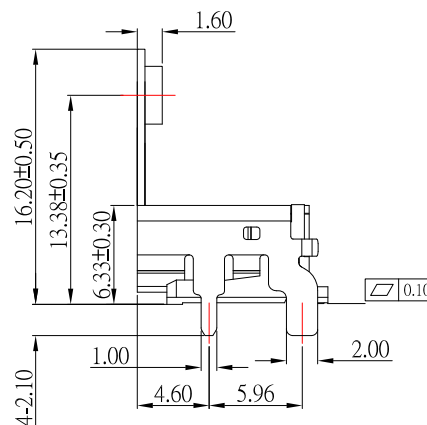
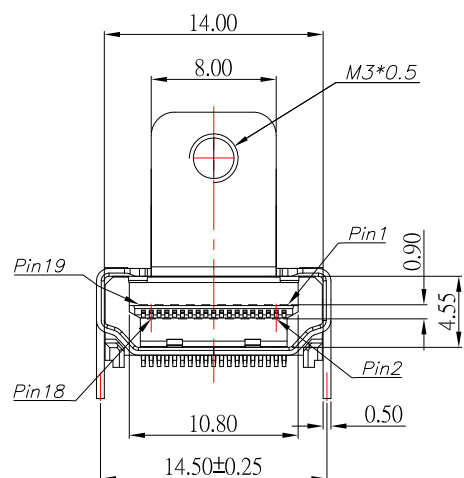


RECOMMENDED P.C.B. LAYOUT

HDMI-19P-SND14x-S297

SHELL PLATED :

Blank	NI
G	GOLD



SPECIFICATIONS:

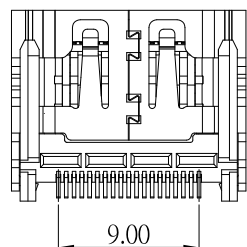
1. ELECTRICAL CHARACTERISTICS
 - 1-1. CURRENT RATING: 0.5 AMP
 - 1-2. VOLTAGE RATING: 40 V
 - 1-3. CONTACT RESISTANCE: 30MΩ MAX
 - 1-4. INSULATION RESISTANCE: 100MΩ MIN
 - 1-5. DIELECTRIC WITHSTANDING VOLTAGE: 500V AC FOR 1 MINUTE
2. MECHANICAL CHARACTERISTICS:
 - 2-1. INSERTION FORCE : 4.5KGF MAX.
 - 2-2. WITHDRAWING FORCE : 1KGF ~ 4KGF.
3. LIFE TEST: 10000 CYCLES
4. OPERATING TEMPERATURE: -45°C TO +85°C

MATERIAL:

- 1.1 HOUSING: LCP
- 1.2 CONTACT: BRASS
- 1.3 SHEEL: BRASS

PLATING :

- 1.1 CONTACT: PLATED GOLD IN MATING AREA ;
TIN PLATED ON SOLDER BALLS ;
NICKEL UNDER PLATED OVERALL
- 1.2 SHELL: NICKEL UNDER PLATED SURFACE LAYER
OR GOLD UNDER PLATED SURFACE LAYER



東莞市高迪電子有限公司
DONG GUAN GAO DI ELECTRONICS CO., LTD

TOLERANCE UNLESS OTHERWISE STATED :
Up to 5 ±0.2
Above 5 ~ 15 ±0.3
Above 15 ~ 30 ±0.4
Above 30 ~ 50 ±0.5
Angle ±0.3

3RD. ANGEL'S

UNITS MM

DRAWN BY:	DATE	MAT'L	TITLE	CONNECTOR
Jack Lu	07/12/21			
CHECKED BY:	DATE	FINISH	MODLE	HDMI A/F 帶耳無柱 H:13.38
Jacky Chen	07/12/21			
APPROVED BY:	DATE	SCALE	DWG NO.	HDMI-19P-SND14x-S297
Tony Kao	07/12/21	1 : 1		
		SHEET NO.	PART NO.	HDMI-19P-SND14x-S297
		1 of 1		

1	更新圖面	Jack	071221
ITEM NO.	DESCRIPTION	DRAWN	DATE